

FIG. 1

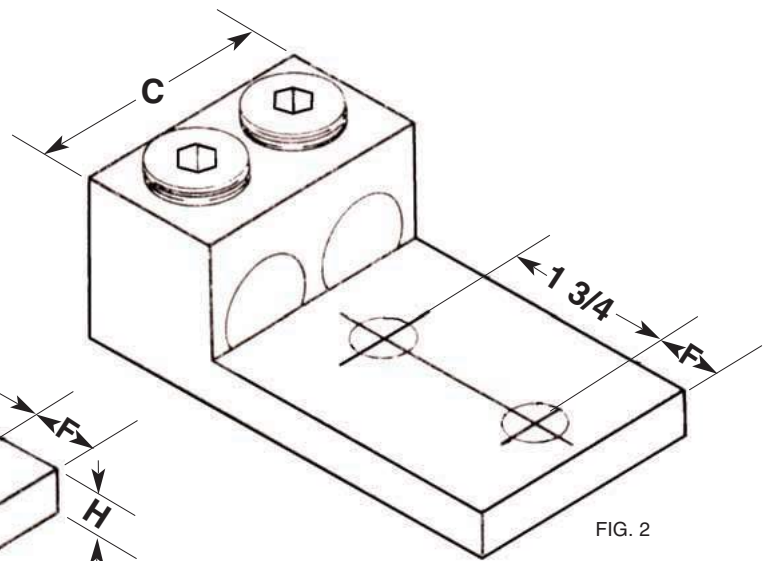


FIG. 2

CAT. NO.	FIG.	WIRE RANGE CU9AL	A	B	C	D	E	F	H
2-600L2	2	600 MCM-2	4.500	1.562	2.406	0.562	1.375	0.625	0.437