

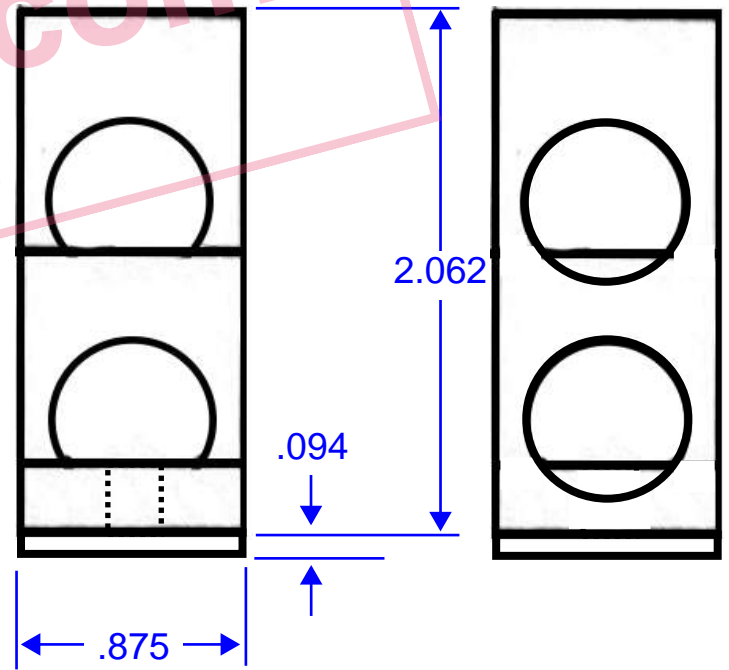
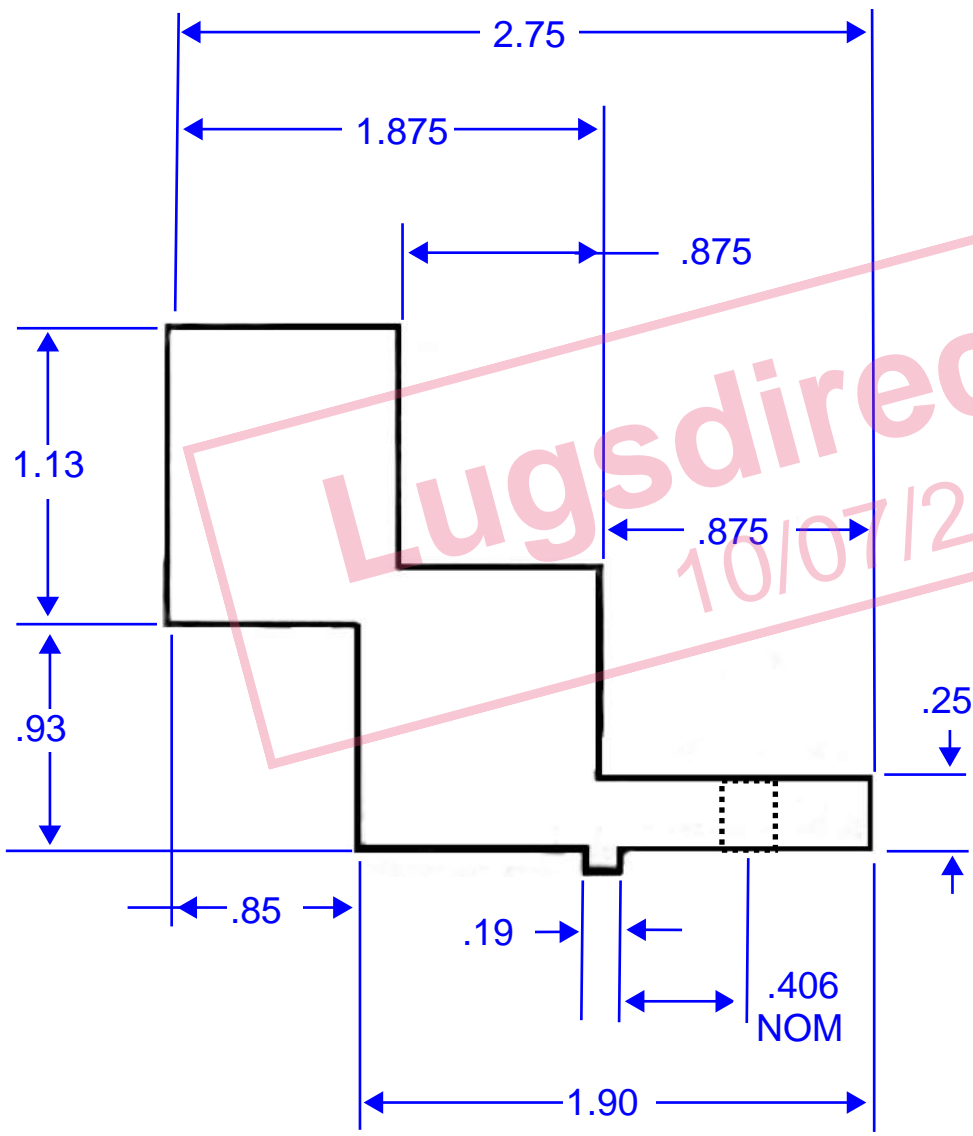
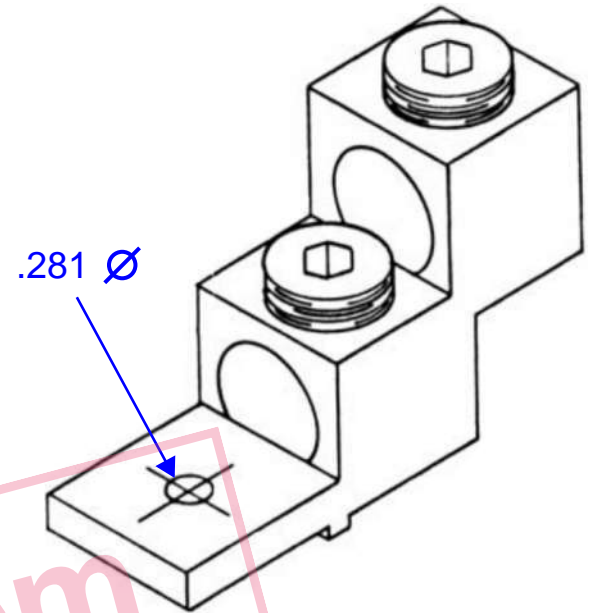
Cat. NO: 300TP-2

Material: High Strength, High Conductive Aluminum Alloy 6061T6

Plating: Tin Over Copper



WIRE RANGE CU9AL: 300kcmil - 6AWG



Lugsdirect.com
10/07/2019

NOT DRAWN TO SCALE
GENERAL TOLERANCES ±.02