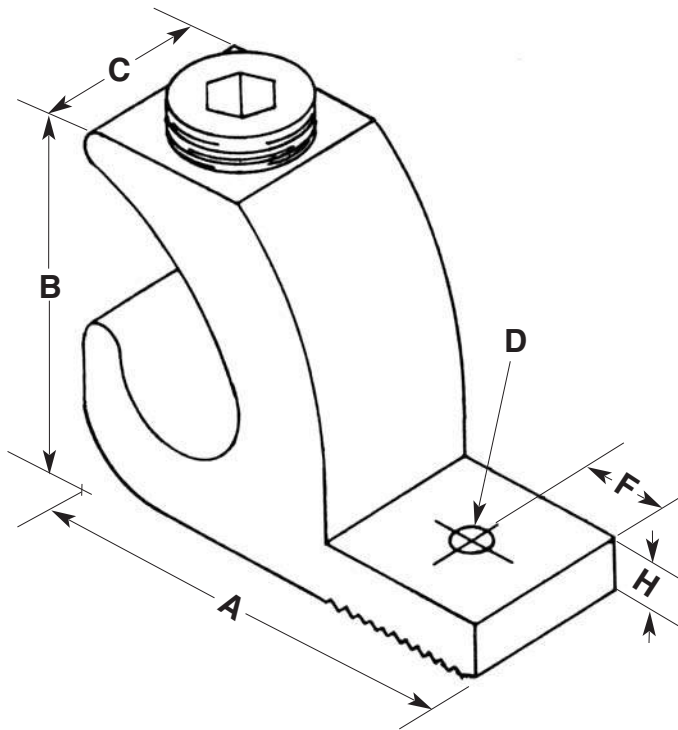




# SL-14

## Lay-In Connectors



CAT. NO.	MATERIAL	WIRE RANGE	A	B	C	D	F	H
		CU-AL						
GLA-4	ALUMINUM	4-14	1.07	0.75	0.38	0.218	0.19	0.15

**Material:** High Strength, High Conductive Aluminum Alloy 6061T6

**Plating:** Tin