



Splicer Reducer

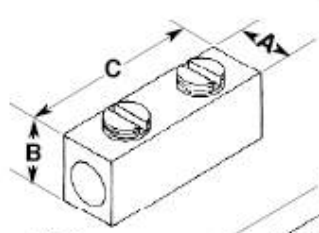


FIG. 1

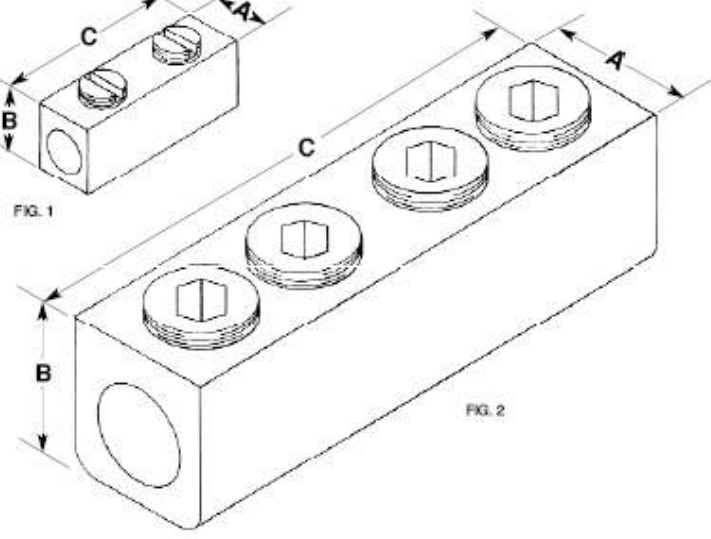


FIG. 2

CAT. NO.	FIG.	WIRE RANGE CU/AL	A	B	C
250-SR	2	250 MCM-6	0.812	1.000	4.094