

FIG. 1

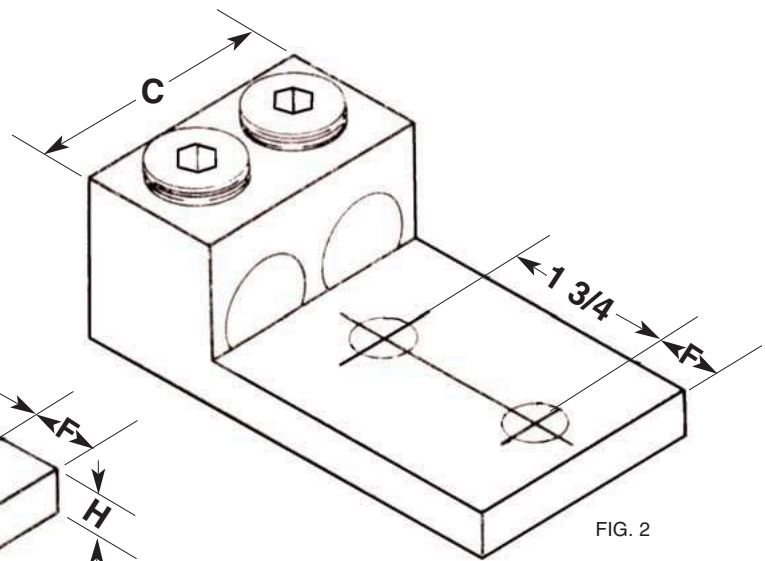


FIG. 2

CAT. NO.	FIG.	WIRE RANGE CU9AL	A	B	C	D	E	F	H
250L2	1	250 MCM-6	4.000	1.187	0.875	0.406	1.000	0.625	0.312