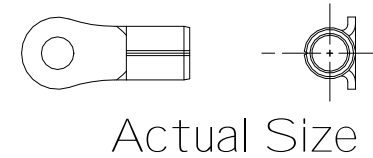
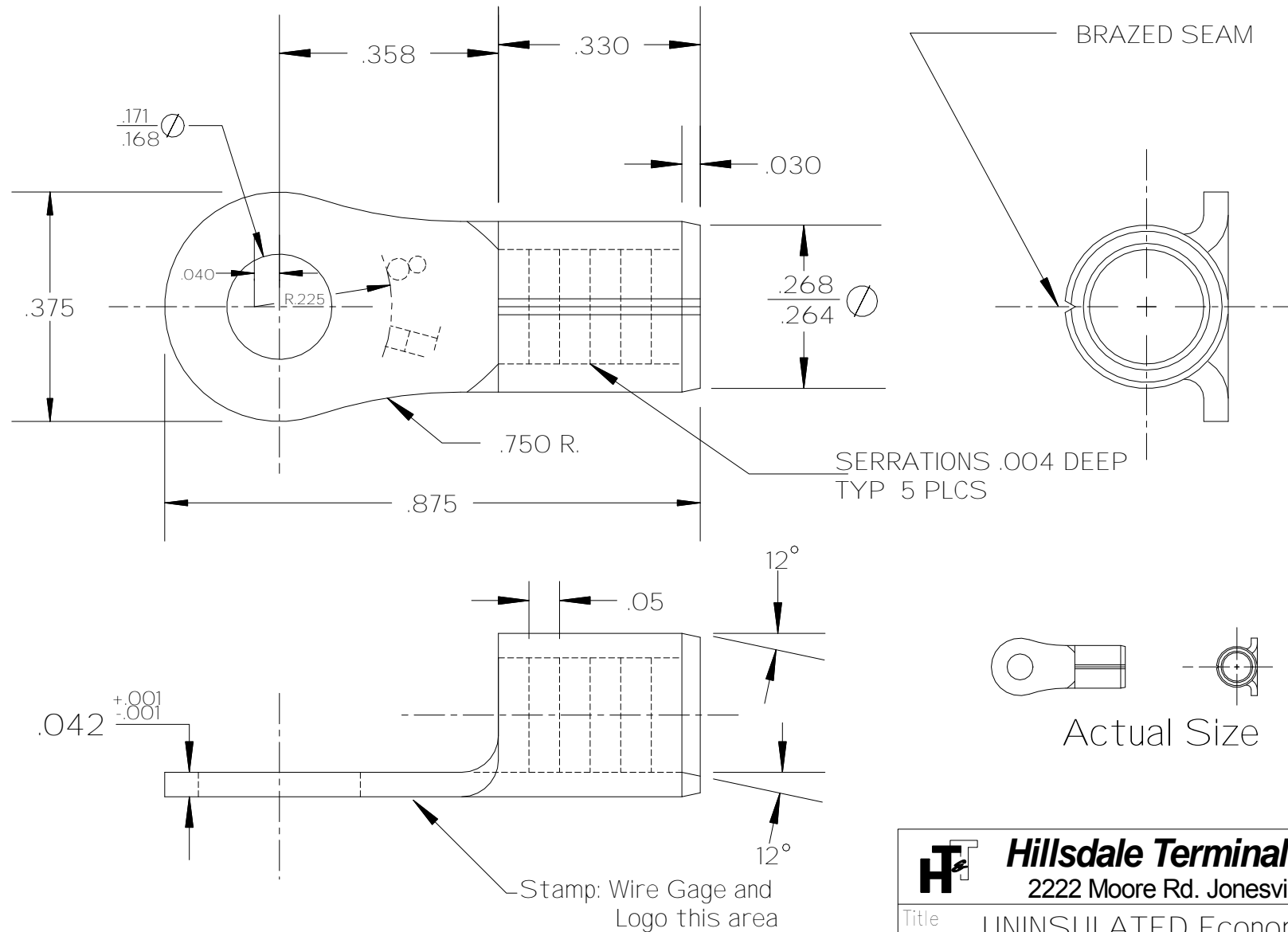



Num	Date	By	Revision Note
1			



1. Material: Alloy 110 Copper-1/2 Hard Temper
2. Finish: Flash Electro Tin Plate

 Hillsdale Terminal & Tools 2222 Moore Rd. Jonesville Mi. 49250	
Title UNINSULATED Economy 8 GA. #8 STUD RING	
Drawn by J. Condon	Date 09/03/08
Checked by	Scale 4X
Material See Notes	Drawing # 10608