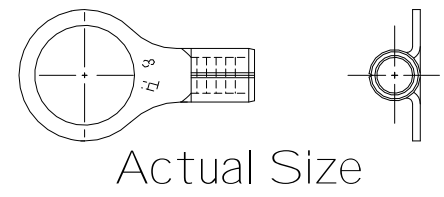
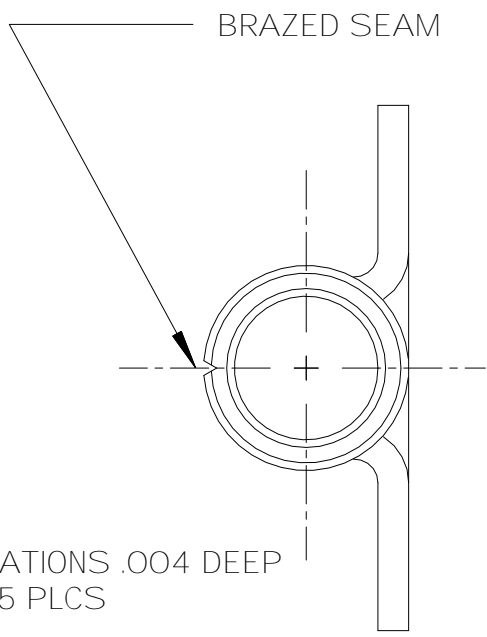
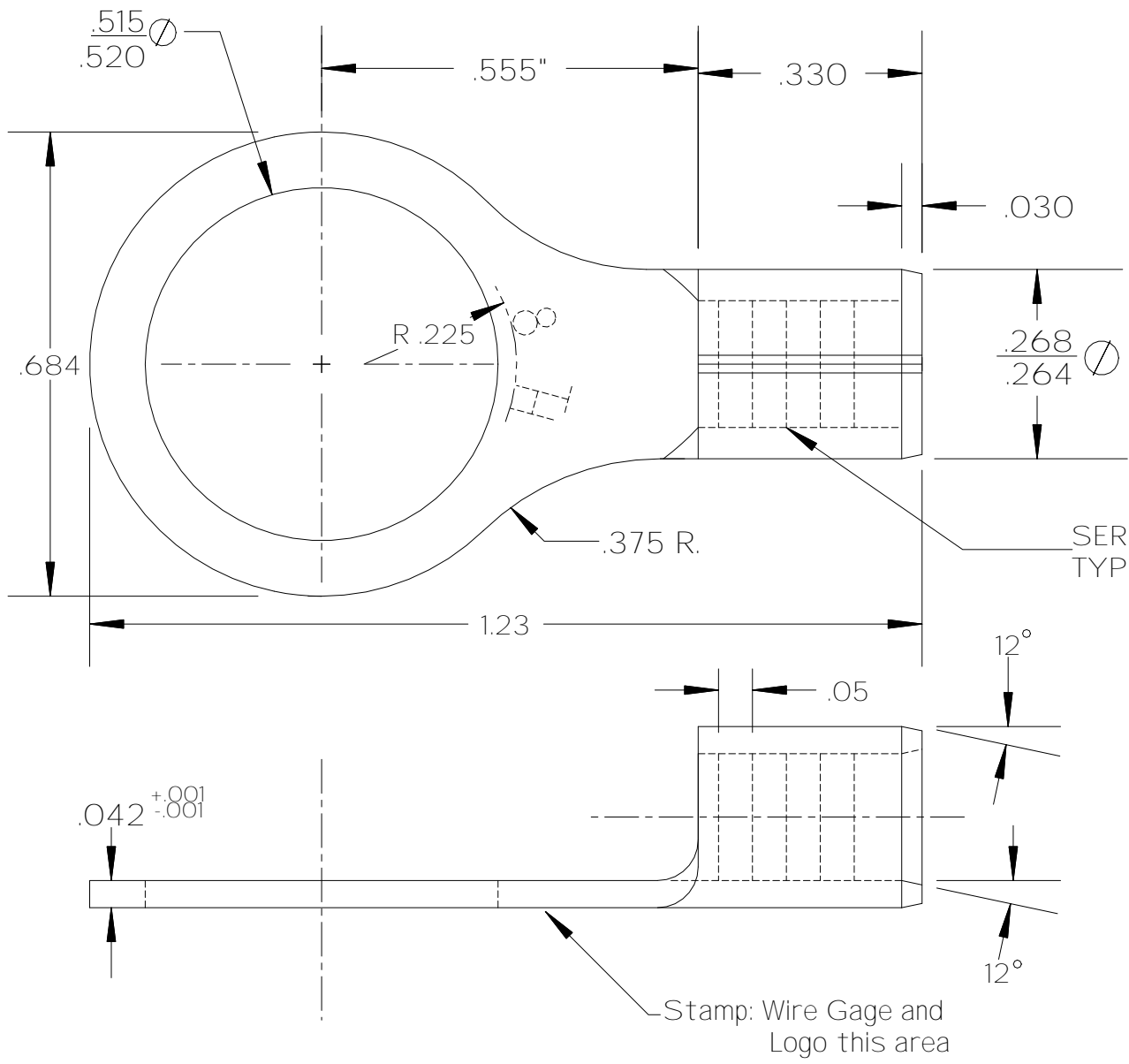



Num	Date	By	Revision Note



1. Material: Alloy 110 Copper-1/2 Hard Temper
2. Finish: Flash Electro Tin Plate

 Hillsdale Terminal & Tools 2222 Moore Rd. Jonesville Mi. 49250			
		Title UNINSULATED 8 GA. 1/2" STUD RING	
Drawn by	J. Condon	Date	07/16/07
Checked by		Scale	4X
Material	See Notes	Drawing #	10614