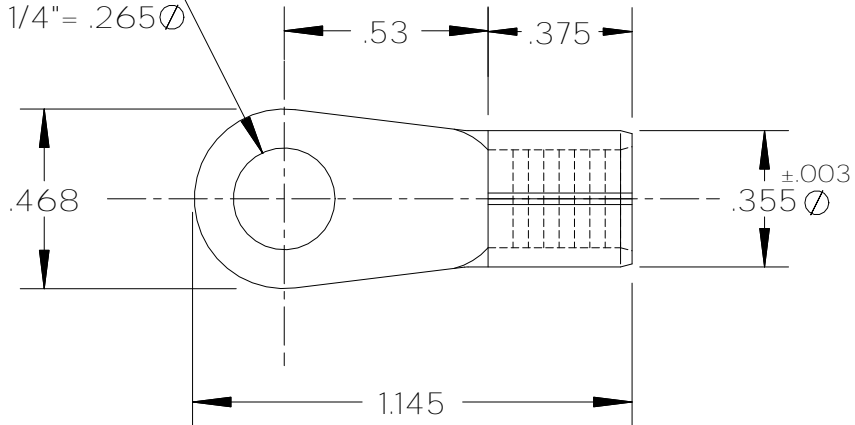
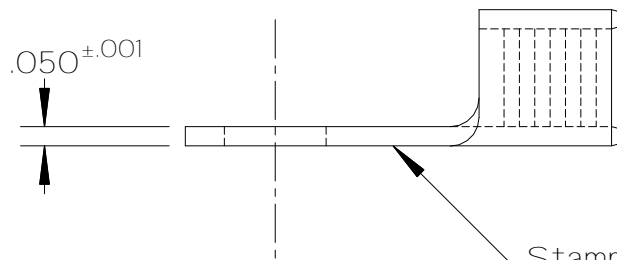
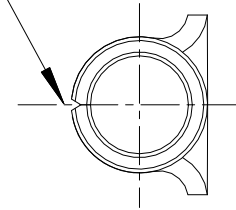


10615 #10 = .197 \varnothing
 10616 1/4" = .265 \varnothing




BRAZED SEAM



Stamp: Wire Gage and Logo this area

1. Material: Alloy 110 Copper-1/2 Hard Temper
2. Finish: Flash Electro Tin Plate

 Hillsdale Terminal & Tools 2222 Moore Rd. Jonesville Mi. 49250	
Title Uninsulated 6 GA. #10 & 1/4" Stud Ring	
Drawn by	J. Condon
Date	03/01/01
Checked by	Scale 2X Size
Material	Drawing # 10615-16

