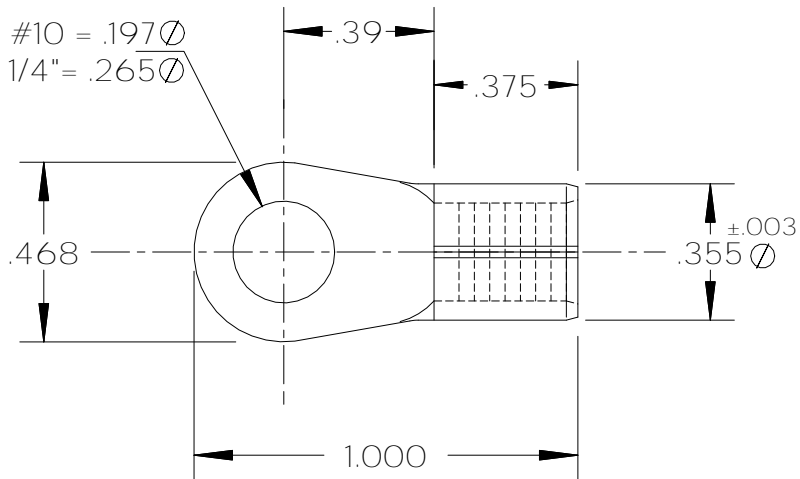
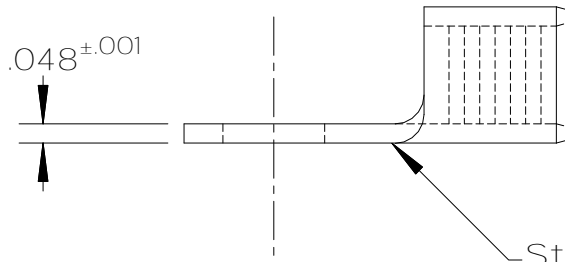
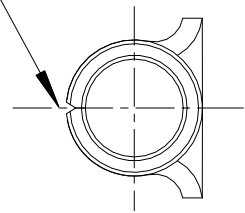


10615E #10 = .197 $\varnothing$   
 10616E 1/4" = .265 $\varnothing$



BRAZED SEAM



Stamp: Wire Gage and Logo this area

1. Material: Alloy 110 Copper-1/2 Hard Temper
2. Finish: Flash Electro Tin Plate

 <b>Hillsdale Terminal &amp; Tools</b> 2222 Moore Rd. Jonesville Mi. 49250	
Title Uninsulated Economy 6 GA. #10 & 1/4" Stud Ring	
Drawn by J. Condon	Date 02/28/06
Checked by	Scale 2X Size
Material	Drawing # 10615E-16E