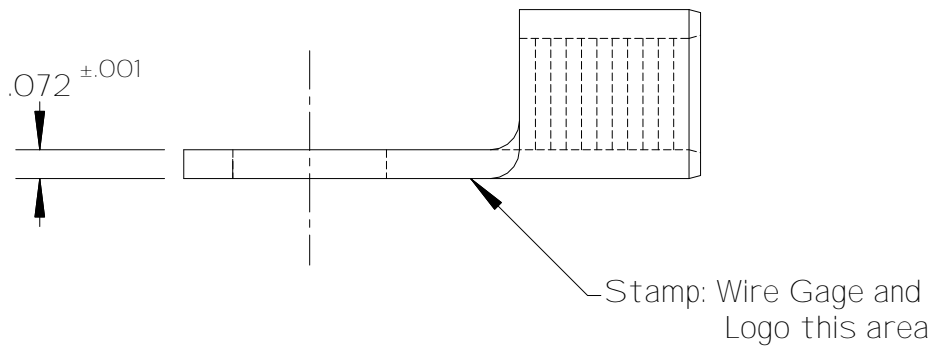
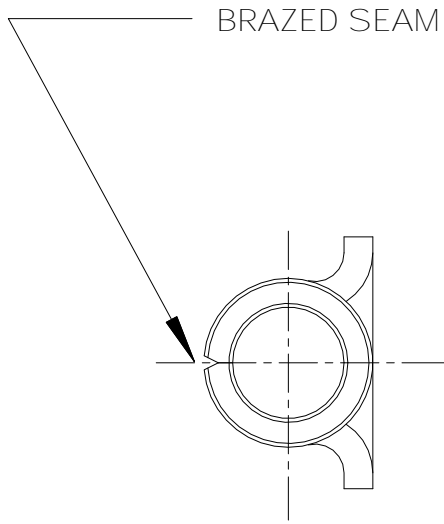
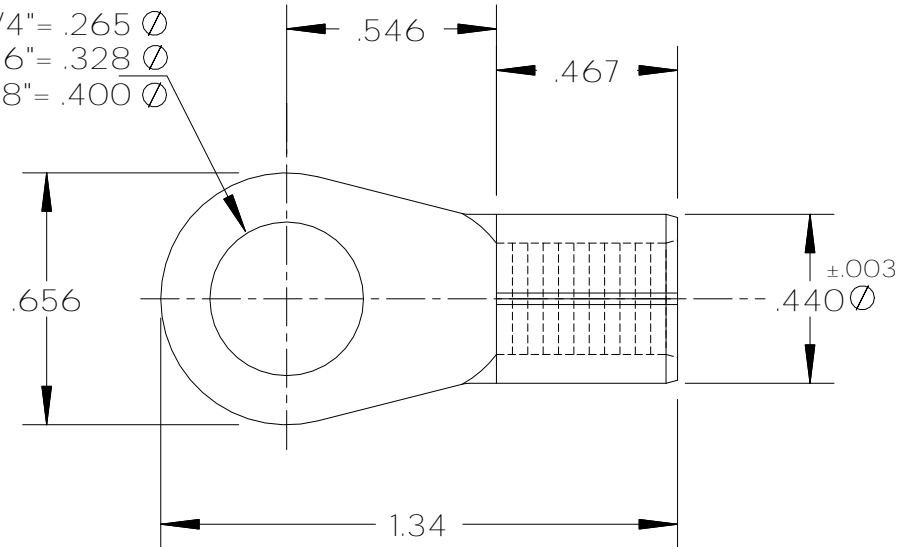



10620 1/4" = .265  $\varnothing$   
 10621 5/16" = .328  $\varnothing$   
 10622 3/8" = .400  $\varnothing$



1. Material: Alloy 110 Copper-1/2 Hard Temper
2. Finish: Flash Electro Tin Plate

 <b>Hillsdale Terminal &amp; Tools</b> 2222 Moore Rd. Jonesville Mi. 49250	
Title Uninsulated 4 GA. 1/4" 5/16" & 3/8" Stud Ring	
Drawn by J. Condon	Date 03/01/01
Checked by	Scale 2X Size
Material	Drawing # <b>10620-22</b>