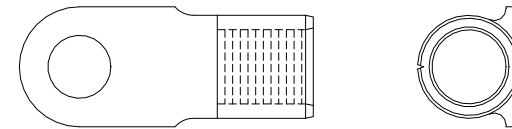
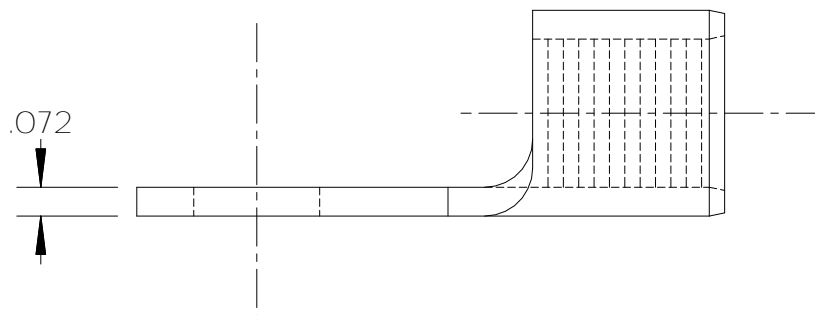
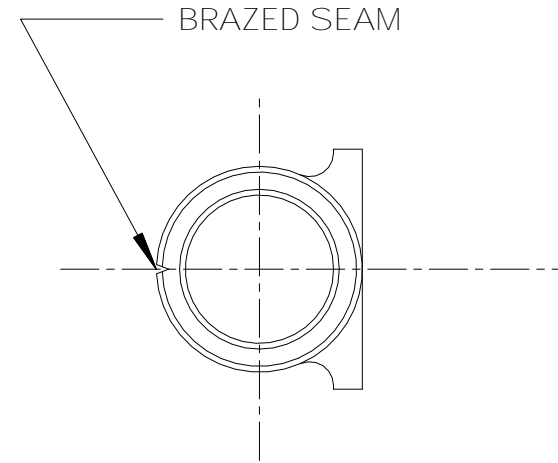
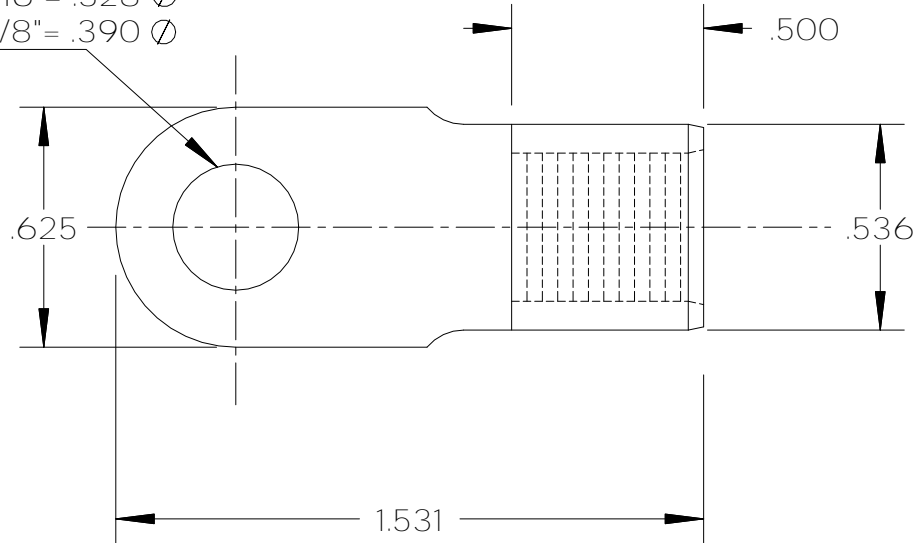


10628 1/4" = .265 Ø  
 10629 5/16" = .328 Ø  
 10630 3/8" = .390 Ø



Actual Size

1. Material: Alloy 110 Copper-1/2 Hard Temper
2. Finish: Flash Electro Tin Plate  
.00025-.0004 Thick

<b>HT</b>	<b>Hillsdale Terminal &amp; Tools</b>	
	2222 Moore Rd. Jonesville Mi. 49250	
Title	Un-insulated 2 Ga. Rings 1/4 5/16 and 3/8 Stud	
Drawn by	J. Condon	Date 04/29/04
Checked by		Scale 2X Size
Material	See Notes	Drawing # <b>10628-30</b>