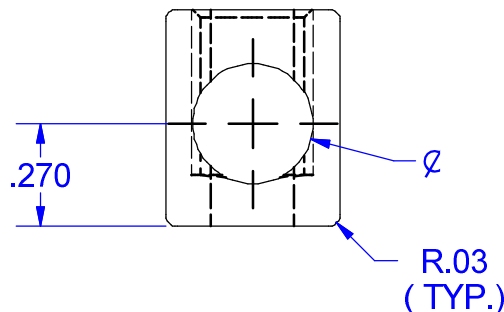
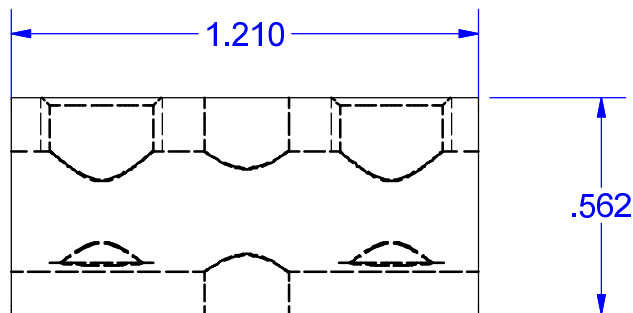


SCREW #13627
(TIN PLATED ALUMINUM)



PART MARKED

AL9CU
P2
UL Logo
IHI Logo

NOT FOR USE WHERE FAILURE CREATES A HAZARD TO HUMAN HEALTH OR SAFETY. ALL PRODUCTS ARE SUBJECT TO THIS FULL DISCLAIMER:
<http://www.ihconnectors.com/disclaimer.html>

FOR FURTHER INFORMATION ON THE PROPER USE OF THIS PRODUCT IN SPECIFIC APPLICATIONS SEE
<http://www.ihconnectors.com/GuideToFlexFlexibleFineStrandedWireCableMechanicalLugsFAQ.html>
<http://www.ihconnectors.com/Technical-Data-Installation.htm>

IHI Connectors
International Hydraulics Inc.
ihconnectors.com



Wire Size	Rated Torque
2-3 AWG	40 IN. LBS.
4-6 AWG	35 IN. LBS.
8 AWG	30 IN. LBS.
10-14 AWG	25 IN. LBS.

Pressure Terminal Connectors
UL Cat. No. **P2**

2-14CU9, 2-8AL9

90°C
GENERAL USE

WIRE COMBINATIONS:
2- #14 SOLID, 2- #14 STRANDED,
2- #12 SOLID, 2- #12 STRANDED,
2- #10 SOLID, 2- #10 STRANDED
ONLY, NO MIXING

THIS DRAWING AND DESIGN ARE THE PROPERTY OF INTERNATIONAL HYDRAULICS, INC., CLEVELAND, OHIO, AND MAY NOT BE DUPLICATED, USED FOR THE BASIS OF DESIGN OR MANUFACTURE WITHOUT THE WRITTEN PERMISSION OF INTERNATIONAL HYDRAULICS, INC., CLEVELAND, OHIO.					INTERNATIONAL HYDRAULICS, INC.				
GENERAL TOLERANCES inch±.015 {mm±.038}					TITLE: P2-HEX (SALES) CONNECTOR				
MATERIAL: 6061-T6 (11932)		SIZE:	DRAWN BY: TDS	DWG NO.: P2-HEX (SALES)		REV:			
FINISH: TIN PLATE EMS		DATE: 2/23/09 4/22/15		IHI CONNECTORS					