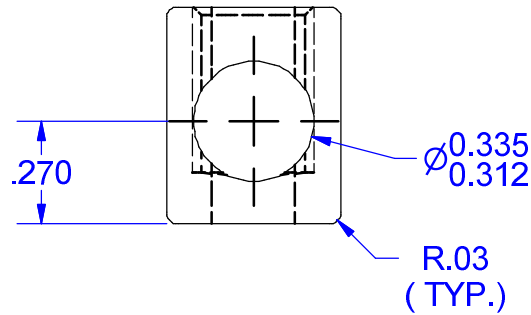
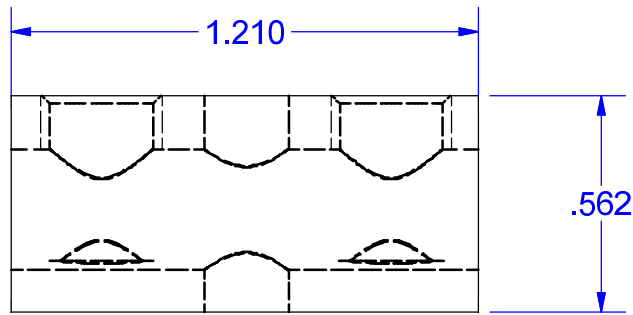


SCREW #10850
(TIN PLATED ALUMINUM)



PART MARKED

AL9CU
P2
UL Logo
IHI Logo

FLEX WIRE 4-12 AWG, 4-16 WITH FERRULE

NOT FOR USE WHERE FAILURE CREATES A HAZARD TO HUMAN HEALTH OR SAFETY. ALL PRODUCTS ARE SUBJECT TO THIS FULL DISCLAIMER: <http://www.ihiconnectors.com/disclaimer.html>

FOR FURTHER INFORMATION ON THE PROPER USE OF THIS PRODUCT IN SPECIFIC APPLICATIONS SEE <https://www.ihiconnectors.com/GuideToFlexFlexibleFineStrandedWireCableMechanicalLugsFAQ.html>
<https://www.ihiconnectors.com/Technical-Data-Installation.htm>
<https://lugsdirect.com/PDF Documents/5-16-SLOTTEDSCREW-BIT-RECOMMENDED-SPECS-IHICONNECTORS.pdf>



Expanded wire range with use of ferrules.
TORK KRIMP® self crimping crimpers and UL listed ferrules. Patent Pending.
For full instructions:
<https://lugsdirect.com/PDF Documents/IHI Agency Labels/P2-AGENCY-LABEL.pdf>

THIS DRAWING AND DESIGN ARE THE PROPERTY OF INTERNATIONAL HYDRAULICS, INC., CLEVELAND, OHIO, AND MAY NOT BE DUPLICATED, USED FOR THE BASIS OF DESIGN OR MANUFACTURE WITHOUT THE WRITTEN PERMISSION OF INTERNATIONAL HYDRAULICS, INC., CLEVELAND, OHIO.		INTERNATIONAL HYDRAULICS, INC.		
GENERAL TOLERANCES inch±.015 {mm.±0.038}		TITLE: P2 (SALES) CONNECTOR		
MATERIAL: 6061-T6 (11932)	SIZE:	DRAWN BY: TDS	DWG NO.: P2 (SALES)	REV: R2
FINISH: TIN PLATE EMS	DATE: 2/23/09		IHI CONNECTORS	