

UNLESS OTHERWISE SPECIFIED, DIMENSIONS ARE IN INCHES. REMOVE ALL BURRS AND SHARP EDGES.

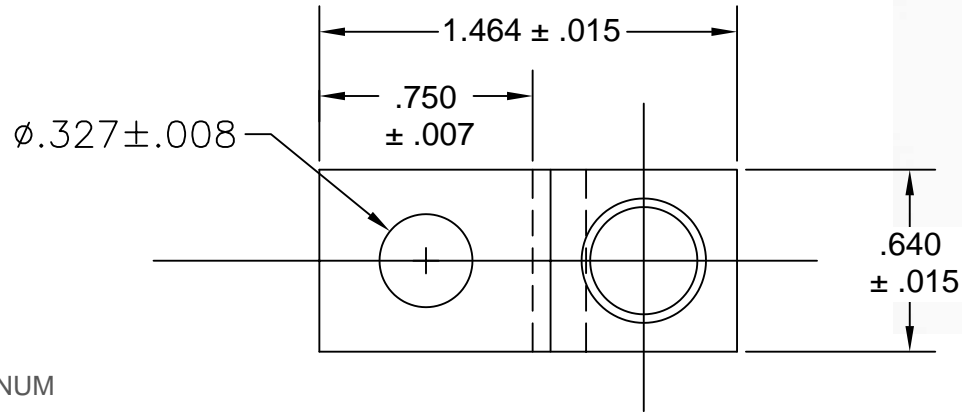
THIS DRAWING AND DESIGN ARE THE PROPERTY OF INTERNATIONAL HYDRAULICS, INC., MENTOR, OHIO. IT MAY NOT BE DUPLICATED OR USED FOR THE BASIS OF DESIGN OR MANUFACTURE, WITHOUT THE WRITTEN PERMISSION OF INTERNATIONAL HYDRAULICS, INC.

REVISIONS			
NR.	DESCRIPTION	BY	DATE

TOLERANCES:  $\pm .015$

NOT FOR USE WHERE FAILURE CREATES A HAZARD TO HUMAN HEALTH OR SAFETY. ALL PRODUCTS ARE SUBJECT TO THIS FULL DISCLAIMER: <http://www.ihconnectors.com/disclaimer.html>

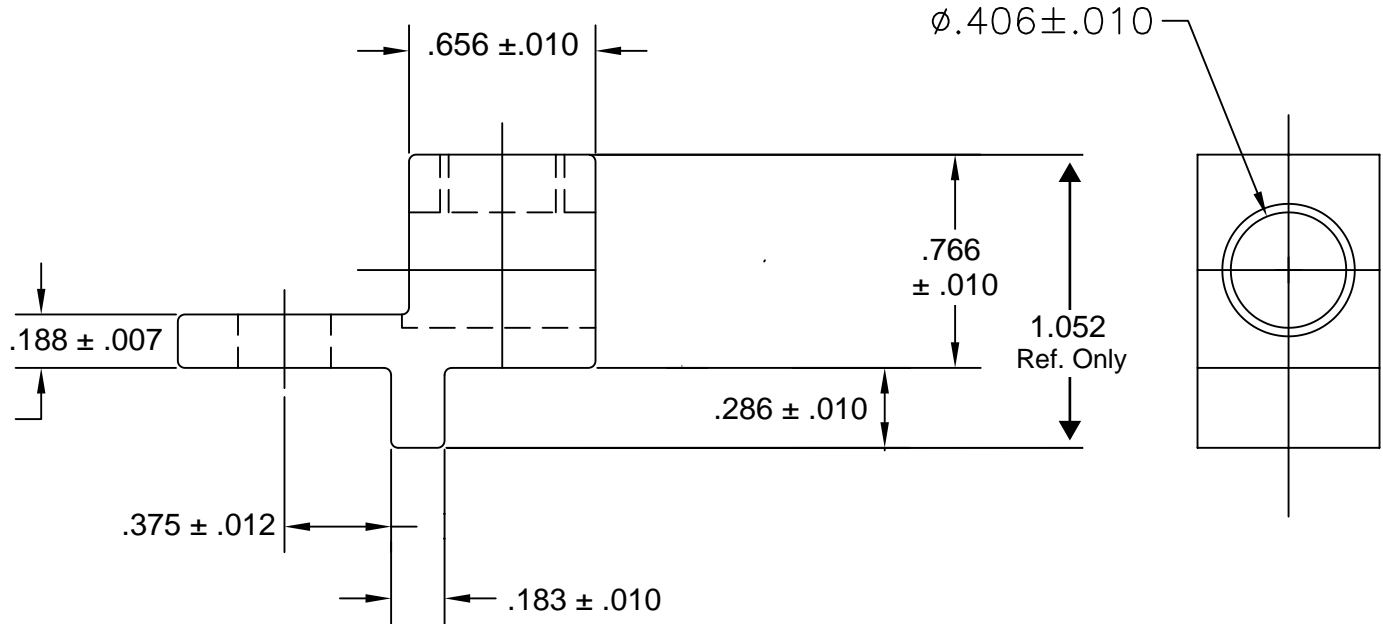
FOR FURTHER INFORMATION ON THE PROPER USE OF THIS PRODUCT IN SPECIFIC APPLICATIONS SEE <http://www.ihconnectors.com/GuideToFlexFlexibleFineStrandedWireCableMechanicalLugsFAQ.html>  
<http://www.ihconnectors.com/Technical-Data-Installation.htm>



INSTALLED:  
 1 X 7/16-20 ALUM SCREW  
 PART NO S1/0-TP:  
 14224 SLOTTED, TIN PLATED ALUMINUM  
 PART NO. S1/0-TP-HEX:  
 3/16 A/F HEX SOCKET DRIVE

UL LISTED, CSA CERTIFIED  
 MARKING ON PART  
 "UL CSA  
 CU9AL  
 1/0-14  
 IHI S1/0"

Tightening Torques  
 1/0-3 AWG 50 in-lb  
 4-6 AWG 45 in-lb  
 8 AWG 40 in-lb  
 10-14 AWG 35 in-lb



**International Hydraulics**  
 7700 ST. CLAIR AVE., MENTOR, OH

DWN BY: CDMR	TITLE: DUAL RATED 1/0 Turn Prevent Lug	REV#
DATE: 8/17/07 1/23/15	MATERIAL: 6061-T6 TIN PLTD	FINISH
		DWG# S1/0-TP-XX