

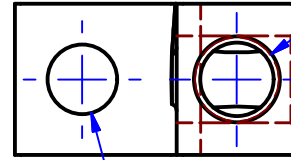
IHI UL/CSA Installation Guide to Drill or Enlarge Mounting Holes:

<https://lugsdirect.com/PDF%20Documents/IHI-MTG-HOLE-FIELD-MODS-UL&CSA-CERTIFICATIONS.pdf>

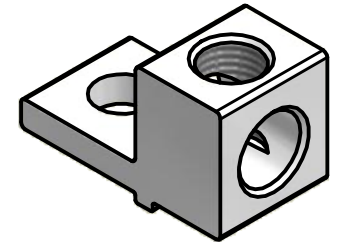
Cat. No. S2/0 Style No. ALL

■ Drill, Enlarge, or Modify Mounting Holes

- 1) Increase hole(s) dia. to 1/2 bolt (17/32 drill dia.)
- 2) Move location of mounting hole(s)
- 3) If buying blank lug, put custom hole(s) in.

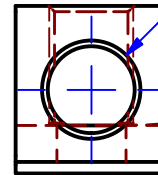


7/16-20 UNF - 2B  
CENTERED TO SAW ± .012



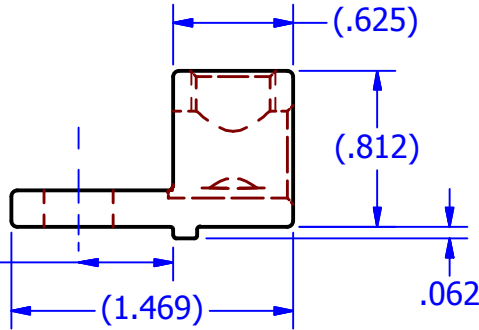
■  $\varnothing .360 \pm .010$

$\varnothing .453 \pm .010$



$.375 \pm .010$

$.787 \pm .015$



■  $.492 \pm .015$

$(.625)$

$(.812)$

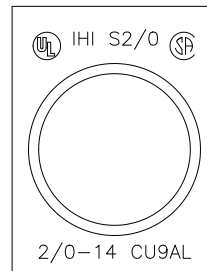
$.062$

$(1.469)$

NOTES:

1) PARTS MARKED

- S2/0 IHI
- 2/0-14 UL LOGO
- CU9AL CSA LOGO



**MARK #14253**

FITS 20mm BUS ON  
ABB TRANSFER SWITCHES  
UL ZMVB CATEGORY LUG

NOT FOR USE WHERE FAILURE CREATES A HAZARD TO HUMAN HEALTH OR SAFETY. ALL PRODUCTS ARE SUBJECT TO THIS FULL DISCLAIMER: <http://www.ihconnectors.com/disclaimer.html>

FOR FURTHER INFORMATION ON THE PROPER USE OF THIS PRODUCT IN SPECIFIC APPLICATIONS SEE <http://www.ihconnectors.com/GuideToFlexFlexibleFineStrandedWireCableMechanicalLugsFAQ.html>  
<http://www.ihconnectors.com/Technical-Data-Installation.htm>

THIS DRAWING AND DESIGN ARE THE PROPERTY OF INTERNATIONAL HYDRAULICS, INC., CLEVELAND, OHIO, AND MAY NOT BE DUPLICATED, USED FOR THE BASIS OF DESIGN OR MANUFACTURE WITHOUT THE WRITTEN PERMISSION OF INTERNATIONAL HYDRAULICS, INC., CLEVELAND, OHIO.

UNLESS OTHERWISE SPECIFIED:  
1. DIMENSIONS ARE IN INCHES  
2. REMOVE ALL BURRS AND SHARP EDGES  
3. TOLERANCE ON DIMENSIONS:

+/- .015

MATERIAL:  
6061-T6; X1075

FINISH:

INTERNATIONAL HYDRAULICS, INC.

TITLE:

S2/0-TP-W2-36-49  
SALES PRINT

SIZE: A	DRAWN BY: DJH	DWG NO.:	REV:
		S2-0-TP-W2-36-49	0

DATE: 5/18/2015	THIS IS A CAD DRAWING, DO NOT MANUALLY REVISE
--------------------	---

## USE OF NON-OEM SPECIFIED WIRE LUGS IN PLACE OF OEM SPECIFIED LUGS ON TRANSFER SWITCHES ETC.

UL APPROVAL FOR USE OF UL LISTED (UL486AB) LUGS OF SUITABLE DESIGN AND CATEGORY ZMVV MAY BE READILY OBTAINED BY USING THE RELATIVE SIZE AND MASS OF LUGS COMPARED TO THE ONES WHICH ARE ALREADY APPROVED BY THE MANUFACTURER.

THESE LUGS HAVE BEEN DESIGNED TO REPLACE OEM LUGS ON SWITCHES WITH 20MM AND 25MM WIDE BUS TANGS OR TABS. THE WIDTH OF THE LUG IS SUITED TO THE WIDTH OF BUS. ALSO THE ANTI-ROTATION MEANS IS TAILORED TO THE BUS GEOMETRY.

THE OVERALL SIZE AND MASS HAS BEEN SHOWN TO BE ACCEPTABLE FOR APPROVAL BY THE NRTL (NATIONAL RECOGNIZED TESTING LABORATORY) WHICH ENABLES THE LUGS TO BE SUBSTITUTED READILY WHEN PRESENTING THE ASSEMBLY FOR APPROVAL. FINAL APPROVAL IS OF COURSE SUBJECT TO THE APPLICATION AND PARTICULAR NRTL THAT REVIEWS IT.

TRANSFER SWITCHES HAVE BECOME VERY POPULAR FOR A WIDE VARIETY OF APPLICATIONS AND A WIDER RANGE OF LUGS IS REQUIRED TO SUIT THESE APPLICATIONS. FOR EXAMPLE UP TO 150A AND 175A LOADS REQUIRE WIRE SIZE OF 1/0 AND 2/0 ARE INDICATED BY 75C AMPACITY CHARTS. OEM LUGS MAY BE UNNECESSARILY OVERSIZED IN WIRE CAPACITY AT 300KCMIL.

IN ADDITION IT CAN BE CONVENIENT TO WIRE SWITCHES USING ONE ROW OF TABS WITH LUGS THAT STAND OUT AND ANOTHER ROW THAT ARE SET BACK (BOX LUGS).

END USERS NEED TO ADHERE TO ALL REQUIRED SPACING & INSULATION SEPARATORS THAT MAY BE REQUIRED

DETAILS OF BUS DIMENSIONS FOR ABB & SOCOMEC TRANSFER SWITCHES USING 20mm & 25mm WIDE BUS TABS.  
IHI 90C UL & CSA ZMVV CATEGORY LUGS SUITABLE FOR 150A and 174A CURRENT RATINGS (75C) ARE LISTED BELOW

ABB OB SERIES & OBM SERIES 25mm (0.98") inch WIDE BUS DETAILS

SOCOMECSIRCOVER SERIES UL1008 RATED 25mm (0.98") WIDE BUS DETAILS

SEE IHI BRAND LUGS [S1/0-TP2-W](#) AND [S2/0-TP-W-44-49](#) TURN PREVENT TAB LUGS

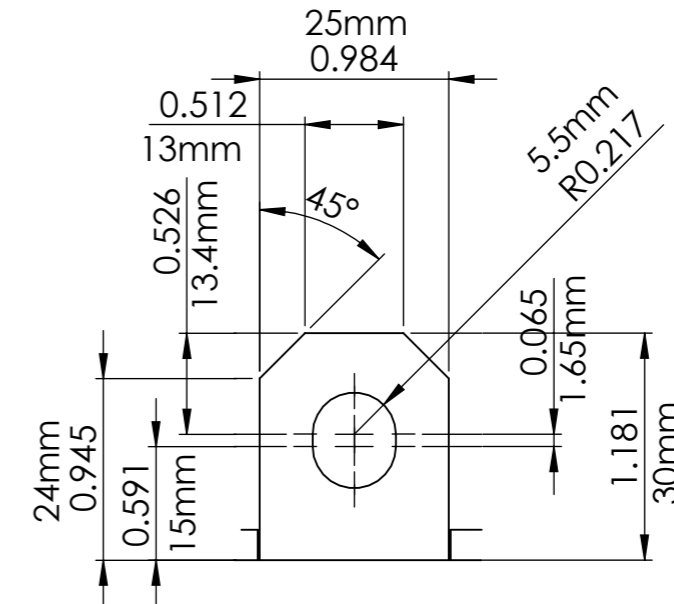
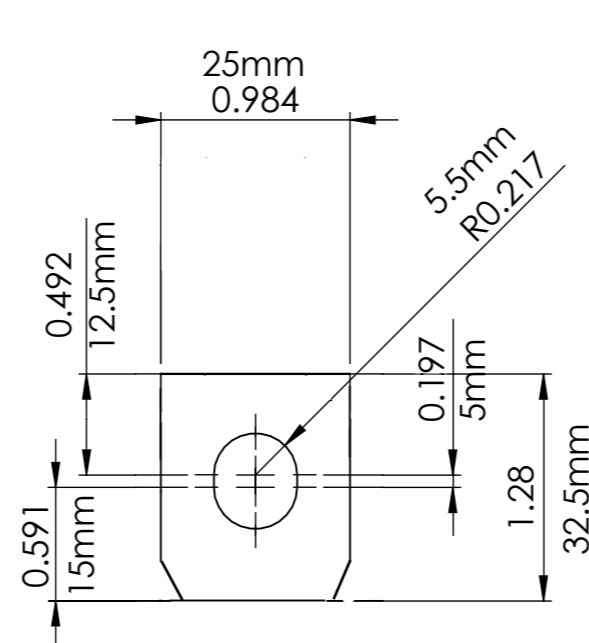
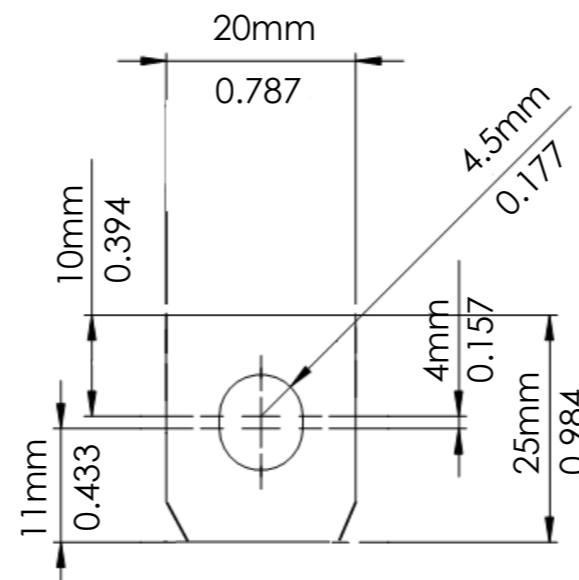


ABB OB SERIES & OBM SERIES 20mm (0.79") inch WIDE BUS DETAILS

SEE IHI BRAND LUG [S2/0-TP-W2-36-49](#) TURN PREVENT TAB LUGS



SKETCHES ARE NOT TO SCALE!

DIMENSIONS ARE BELIEVED CORRECT BUT CHECK WITH THE ACTUAL SWITCH BEING USED.

THIS DOCUMENT IS COPYRIGHTED 2015 BY INTERNATIONAL HYDRAULICS INC. AND ADVANCEMENT INTERNATIONAL LTD.

IHI & IHICONNECTORS.COM ARE TRADEMARKS OF INTERNATIONAL HYDRAULICS INC. SOCOMEC AND ABB HAVE NO AFFILIATION WITH IHI OR ADVANCEMENT INT'L. LTD. AND THEIR NAMES AND TRADEMARKS ARE OWNED BY THEIR RESPECTIVE COMPANIES.

**LugsDirect.com**  
Factory Direct Lugs At Factory Direct Prices

