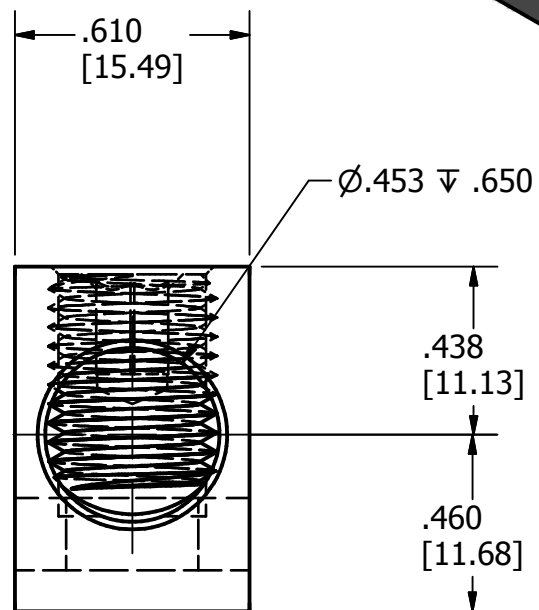
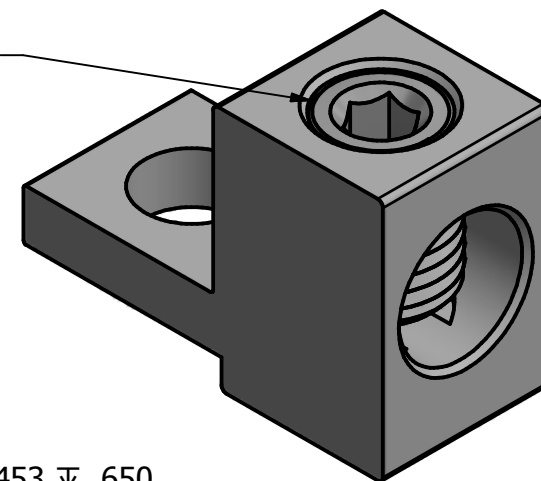


7/16-20 UNF - 2B



PARTS MARKED

- S2/0
- 2/0-14
- CU9AL
- UL Logo
- CSA Logo
- IHI

NOT FOR USE WHERE FAILURE CREATES A HAZARD TO HUMAN HEALTH OR SAFETY. ALL PRODUCTS ARE SUBJECT TO THIS FULL DISCLAIMER: <http://www.ihiconnectors.com/disclaimer.html>

FOR FURTHER INFORMATION ON THE PROPER USE OF THIS PRODUCT IN SPECIFIC APPLICATIONS SEE <http://www.ihiconnectors.com/GuideToFlexFlexibleFineStrandedWireCableMechanicalLugsFAQ.html>
<http://www.ihiconnectors.com/Technical-Data-Installation.htm>

<small>THIS DRAWING AND DESIGN ARE THE PROPERTY OF INTERNATIONAL HYDRAULICS, INC., CLEVELAND, OHIO, AND MAY NOT BE DUPLICATED, USED FOR THE BASIS OF DESIGN OR MANUFACTURE WITHOUT THE WRITTEN PERMISSION OF INTERNATIONAL HYDRAULICS, INC., CLEVELAND, OHIO.</small>	INTERNATIONAL HYDRAULICS, INC.			
	TITLE: S2-0TP-S-34-41-HEX 2/0-14 TP LUG			
GENERAL TOLERANCES $\pm .015$ ($\pm 0,39$)	SIZE: A	DRAWN BY: cridley	DWG NO.: S2-0TP-S-34-41-HEX	REV: 1
MATERIAL: 6061-T6 X1075TP-S	FINISH:	DATE: 1-2-2017	IHI CONNECTORS	

REVISION HISTORY

ZONE	REV	DESCRIPTION	DATE	APPROVED
1.322 WAS 1.200, .188 WAS .181, .107 WAS .114	1	LONGER EXTRN	4/7/2017	CDMR