

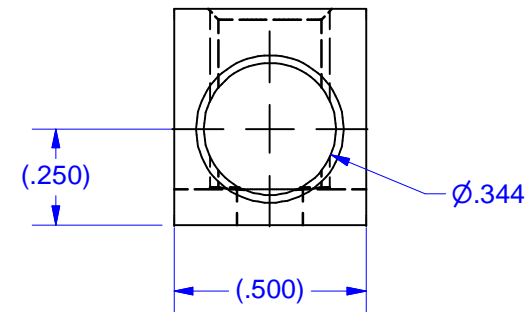
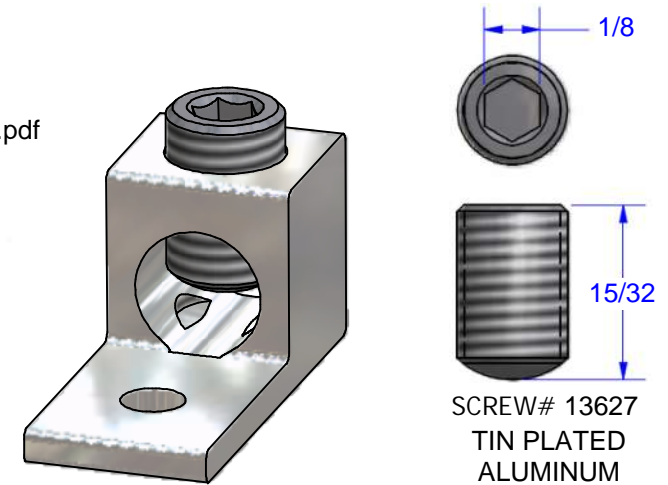
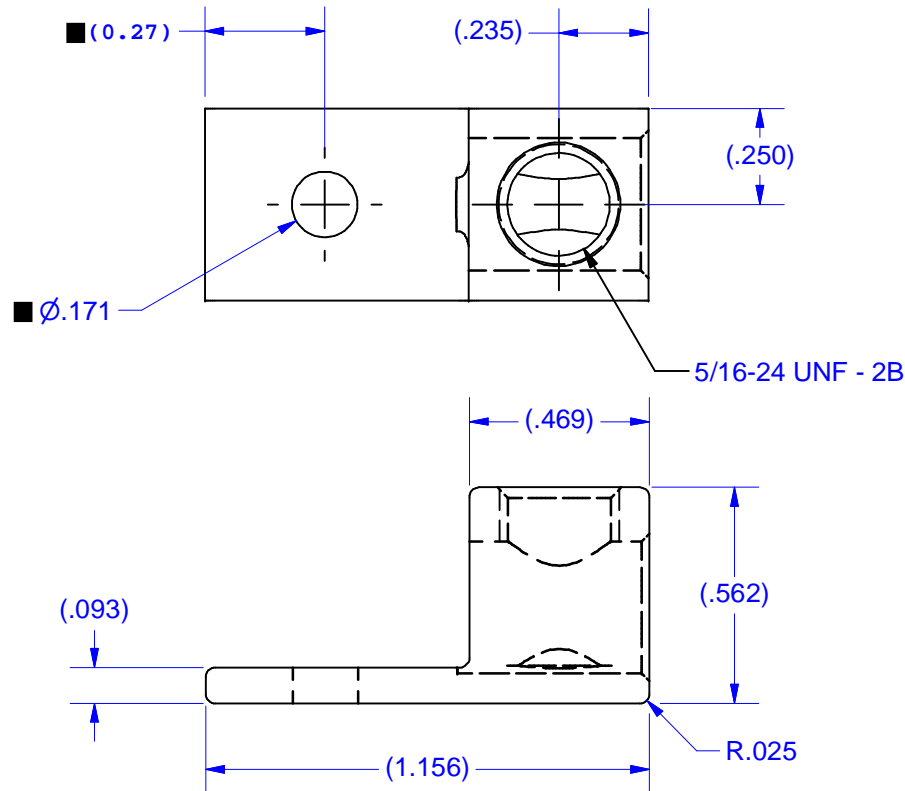
Cat. No. S2 Style No. ALL

■ Drill, Enlarge, or Modify Mounting Holes

- 1) Increase hole(s) dia. to 5/16 bolt (.323 drill dia.)
- 2) Move location of mounting hole(s)
- 3) If buying blank lug, put custom hole(s) in.

IHI UL/CSA Installation Guide to Drill or Enlarge Mounting Holes:

<https://lugsdirect.com/PDF%20Documents/IHI-MTG-HOLE-FIELD-MODS-UL&CSA-CERTIFICATIONS.pdf>



MARKING  
S2  
IHI  
2-14  
CU9AL  
UL LOGO  
CSA LOGO

NOT FOR USE WHERE FAILURE CREATES A HAZARD TO HUMAN HEALTH OR SAFETY. ALL PRODUCTS ARE SUBJECT TO THIS FULL DISCLAIMER: <http://www.ihiconnectors.com/disclaimer.html>

FOR FURTHER INFORMATION ON THE PROPER USE OF THIS PRODUCT IN SPECIFIC APPLICATIONS SEE <http://www.ihiconnectors.com/GuideToFlexFlexibleFineStrandedWireCableMechanicalLugsFAQ.html>  
<http://www.ihiconnectors.com/Technical-Data-Installation.htm>



Expanded wire range with use of ferrules.  
TORK KRIMP®, self crimping of standard UL Listed ferrules protected by PATENT No.10630005.  
PATENT: [www.ihiconnectors.com/patent.html](http://www.ihiconnectors.com/patent.html)  
For full instructions: <https://lugsdirect.com/PDF Documents/IHI Agency Labels/S2-AGENCY-LABEL.pdf>

THIS DRAWING AND DESIGN ARE THE PROPERTY OF INTERNATIONAL HYDRAULICS, INC., CLEVELAND, OHIO, AND MAY NOT BE DUPLICATED, USED FOR THE BASIS OF DESIGN OR MANUFACTURE WITHOUT THE WRITTEN PERMISSION OF INTERNATIONAL HYDRAULICS, INC., CLEVELAND, OHIO.		INTERNATIONAL HYDRAULICS, INC.	
GENERAL TOLERANCES ±.015 (±0.038)		TITLE: <b>S2-171-13627 CONNECTOR</b>	
MATERIAL: <b>6061-T6 (EXT1011)</b>	SIZE:	DRAWN BY: <b>TDS</b>	DWG NO.: <b>S2-171-13627 (SALES)</b>
FINISH: <b>TIN PLATE EMS</b>	DATE: <b>6/10/2019</b>	REV: THIS IS A CAD DRAWING, DO NOT MANUALLY REVISE	