

IHI Connectors
International Hydraulics Inc.
ihiconnectors.com™



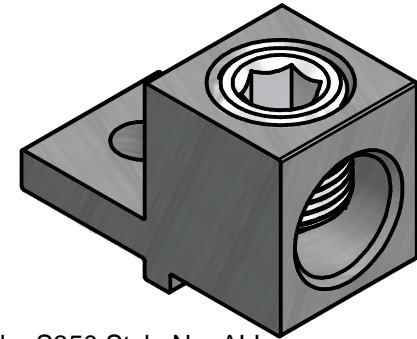
Pressure Terminal Connectors
NRTL Cat. No.
S350

350kcmil-6 AL9CU

<http://www.lugsdirect.com/GuideToFlexFlexibleFineStrandedWireCableMechanicalLugsFAQ.html>

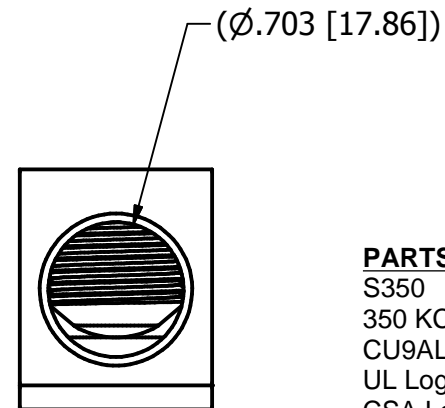
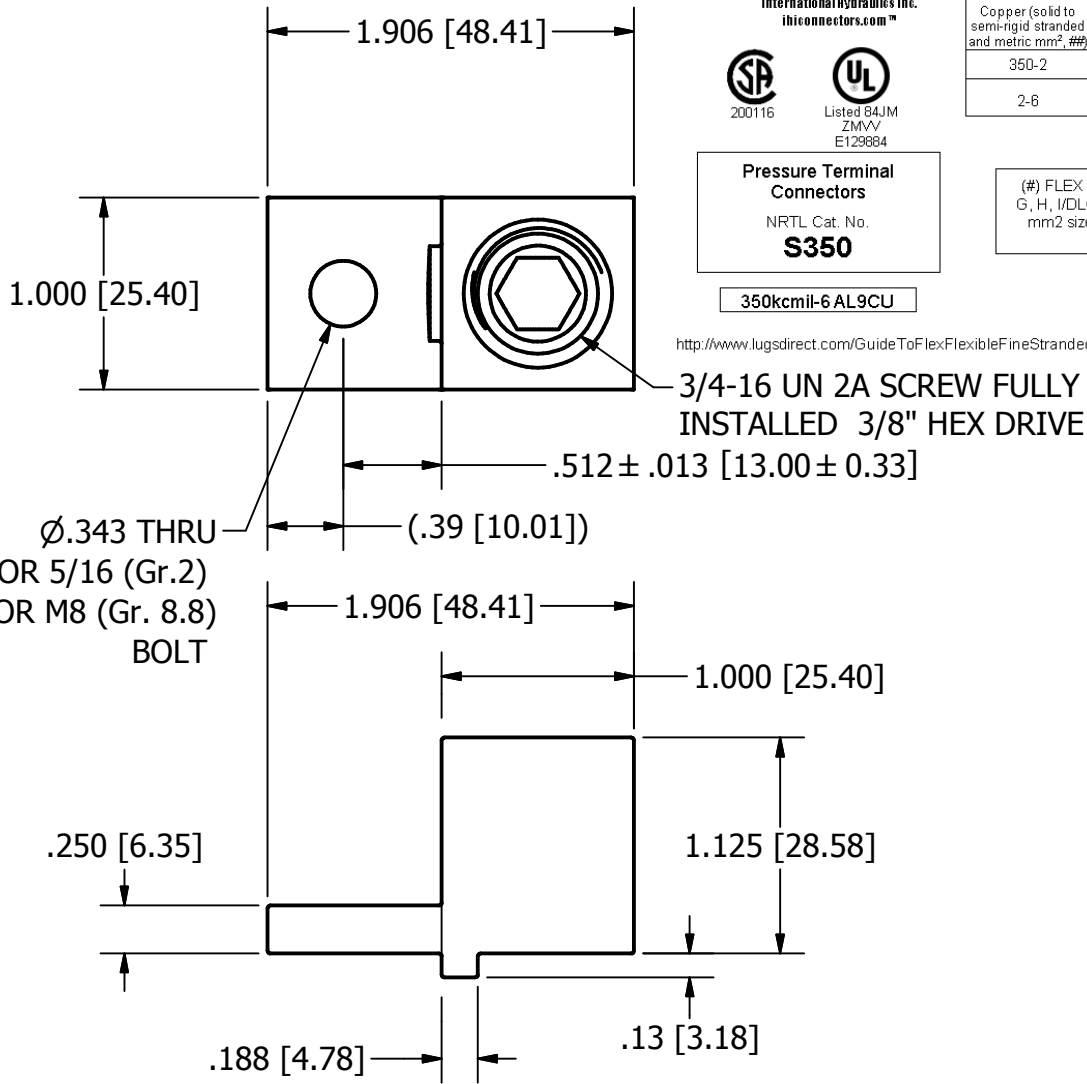
Wire Size Copper (solid to semi-rigid stranded and metric mm ² , ##)	Rating °C	Wire Size FLEX Copper (#)	Wire Size aluminum (#)	Torque (all drive means)
350-2	90	262-2	350-2	375
2-6		2-4	2-6	275

(#) FLEX - covers stranding classes within
G, H, I/DLO, Metric class5 and K/MTW. (##)
mm2 sizes within AWG/kcmil ranges are
included.



Cat. No. S350 Style No. ALL

- Drill, Enlarge, or Modify Mounting Holes
- 1) Increase hole(s) dia. to 1/2 bolt (17/32 drill dia.)
- 2) Move location of mounting hole(s)
- 3) If buying blank lug, put custom hole(s) in.



PARTS MARKED
S350
350 KCMIL-6
CU9AL
UL Logo
CSA Logo
IHI

IHI UL/CSA Installation Guide to Drill or Enlarge Mounting Holes:
<https://lugsdirect.com/PDF%20Documents/IHI-MTG-HOLE-FIELD-MODS-UL&CSA-CERTIFICATIONS.pdf>

NOT FOR USE WHERE FAILURE CREATES A HAZARD TO HUMAN HEALTH OR SAFETY. ALL PRODUCTS ARE
SUBJECT TO THIS FULL DISCLAIMER: <http://www.ihiconnectors.com/disclaimer.html>

FOR FURTHER INFORMATION ON THE PROPER USE OF THIS PRODUCT IN SPECIFIC APPLICATIONS SEE
<http://www.ihiconnectors.com/GuideToFlexFlexibleFineStrandedWireCableMechanicalLugsFAQ.html>

<http://www.ihiconnectors.com/Technical-Data-Installation.htm>

THIS DRAWING AND DESIGN ARE THE PROPERTY OF INTERNATIONAL HYDRAULICS, INC., CLEVELAND, OHIO, AND MAY NOT BE DUPLICATED, USED FOR THE BASIS OF DESIGN OR MANUFACTURE WITHOUT THE WRITTEN PERMISSION OF INTERNATIONAL HYDRAULICS, INC., CLEVELAND, OHIO.					INTERNATIONAL HYDRAULICS, INC.					
GENERAL TOLERANCES ±.015 (±0,39)					TITLE: S350-TP-34-51					
MATERIAL: 6061-T6					SIZE: A		DRAWN BY: cridley		DWG NO.: S350-TP-34-51	
FINISH: TIN PLATED					DATE: 11-14-2016		REV: 0		IHI CONNECTORS	
350kcmil TURN PREVENT LUG										