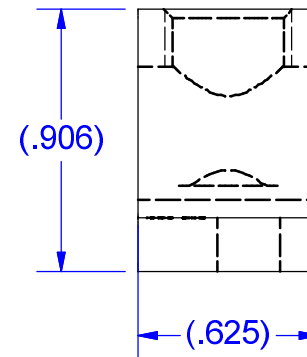
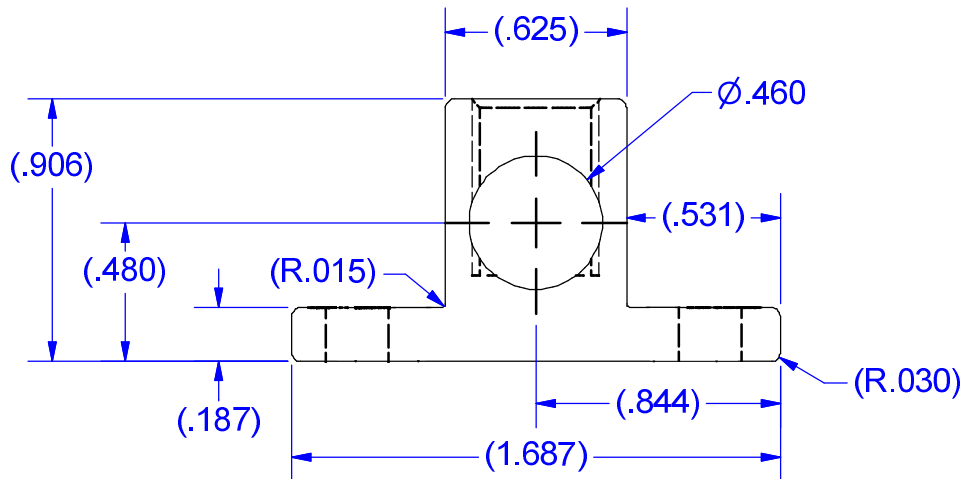


SCREW #11703
(ALUMINUM, TIN PLATED)



REF 4933

PART MARKED
S2/0
CU9AL
2/0-14
IHI LOGO
UL LISTED MARK
CSA CERTIFIED

THIS DRAWING AND DESIGN ARE THE PROPERTY OF INTERNATIONAL HYDRAULICS, INC., CLEVELAND, OHIO, AND MAY NOT BE COPIED, REPRODUCED, OR USED FOR THE BASIS OF DESIGN OR MANUFACTURE WITHOUT THE WRITTEN PERMISSION OF INTERNATIONAL HYDRAULICS, INC., CLEVELAND, OHIO.		INTERNATIONAL HYDRAULICS, INC.	
GENERAL TOLERANCES ±.015 (±0,038)		TITLE: T2/0-125 CONNECTOR	
MATERIAL: 6061-T6 (13699)	SIZE:	DRAWN BY: TDS	DWG NO.: T2/0-125 (SALES)
FINISH: TIN PLATE EMS 131	DATE: 12/12/08	REV: THIS IS A CAD DRAWING, DO NOT MANUALLY REVISE	