

NOT FOR USE WHERE FAILURE CREATES A HAZARD TO HUMAN HEALTH OR SAFETY. ALL PRODUCTS ARE SUBJECT TO THIS FULL DISCLAIMER: <http://www.ihconnectors.com/disclaimer.html>

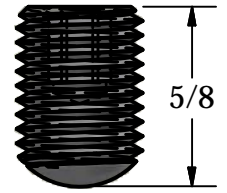
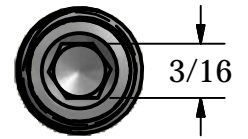
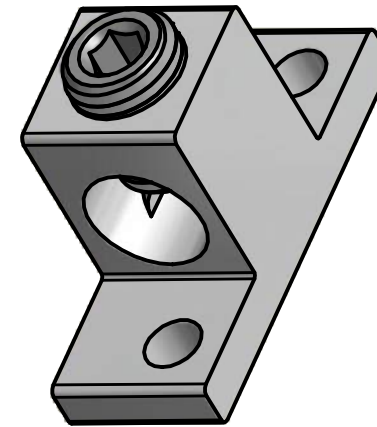
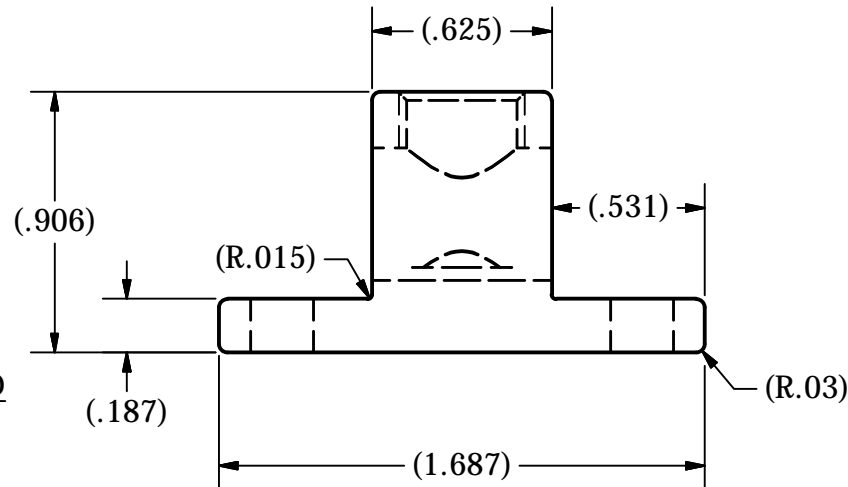
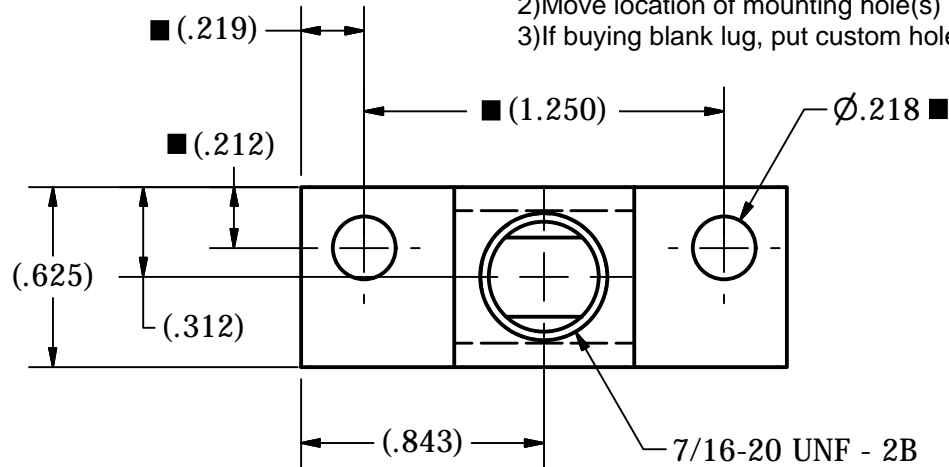
FOR FURTHER INFORMATION ON THE PROPER USE OF THIS PRODUCT IN SPECIFIC APPLICATIONS SEE <http://www.ihconnectors.com/GuideToFlexFlexibleFineStrandedWireCableMechanicalLugsFAQ.html>
<http://www.ihconnectors.com/Technical-Data-Installation.htm>

IHI UL/CSA Installation Guide to Drill or Enlarge Mounting Holes:
<https://lugsdirect.com/PDF%20Documents/IHI-MTG-HOLE-FIELD-MODS-UL&CSA-CERTIFICATIONS.pdf>

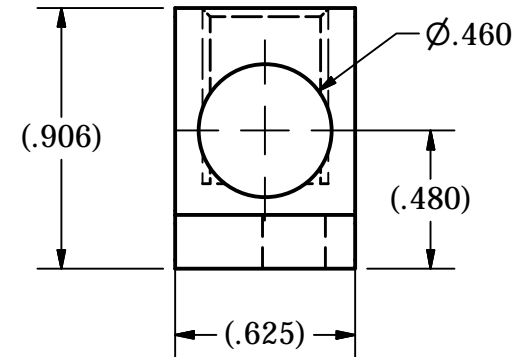
Cat. No. S2/0 Style No. ALL

■ Drill, Enlarge, or Modify Mounting Holes

- 1) Increase hole(s) dia. to 1/2 bolt (17/32 drill dia.)
- 2) Move location of mounting hole(s)
- 3) If buying blank lug, put custom hole(s) in.



SCREW#11703
(ALUMINUM, TIN PLATE)



PART MARKED
 S2/0
 CU9AL
 2/0-14
 IHI Logo
 UL Listed Mark
 CSA Certified

REVISION HISTORY			
REV	DESCRIPTION	DATE	APPROVED
1	(.219) WAS (.328) UPDATE VIEWS	2/2/2016	TDS

FLEX WIRE 1/0-14 AWG

REF.4854

THIS DRAWING AND DESIGN ARE THE PROPERTY OF INTERNATIONAL HYDRAULICS, INC., CLEVELAND, OHIO, AND MAY NOT BE DUPLICATED, USED FOR THE BASIS OF DESIGN OR MANUFACTURE WITHOUT THE WRITTEN PERMISSION OF INTERNATIONAL HYDRAULICS, INC., CLEVELAND, OHIO.				INTERNATIONAL HYDRAULICS, INC.	
GENERAL TOLERANCES - .015 (- 0.038)		TITLE: T2/0A-125 CONNECTOR			
MATERIAL: 6061-T6 (X4854)	SIZE: A	DRAWN BY: TDS	DWG NO.:	T2-0A-125 (SALES)	REV: 1
FINISH: TIN PLATE EMS	DATE: 12/12/08		IHI CONNECTORS		