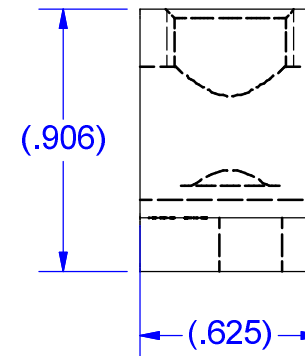
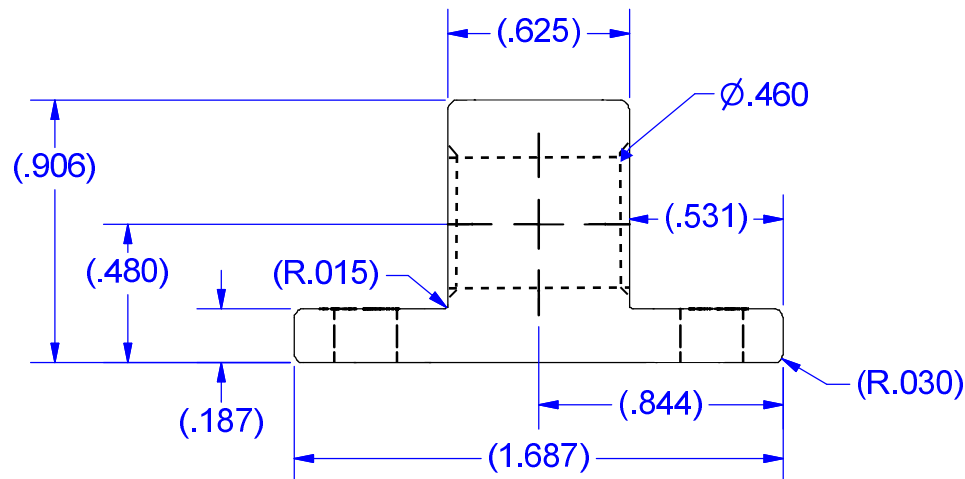


SCREW #11703  
(ALUMINUM, TIN PLATED)



REF 4854

**PART MARKED**  
S2/0  
CU9AL  
2/0-14  
IHI LOGO  
UL LISTED MARK  
CSA CERTIFIED

THIS DRAWING AND DESIGN ARE THE PROPERTY OF INTERNATIONAL HYDRAULICS, INC., CLEVELAND, OHIO, AND MAY NOT BE COPIED, REPRODUCED, OR USED FOR THE BASIS OF DESIGN OR MANUFACTURE WITHOUT THE WRITTEN PERMISSION OF INTERNATIONAL HYDRAULICS, INC., CLEVELAND, OHIO.		<b>INTERNATIONAL HYDRAULICS, INC.</b>	
GENERAL TOLERANCES ±.015 (±0,038)		TITLE: <b>T2/0A-125 CONNECTOR</b>	
MATERIAL: <b>6061-T6 (13699)</b>	SIZE:	DRAWN BY: <b>TDS</b>	DWG NO.: <b>T2/0A-125 (SALES)</b>
FINISH: <b>TIN PLATE EMS 131</b>	DATE: <b>12/12/08</b>	REV: <b>THIS IS A CAD DRAWING, DO NOT MANUALLY REVISE</b>	