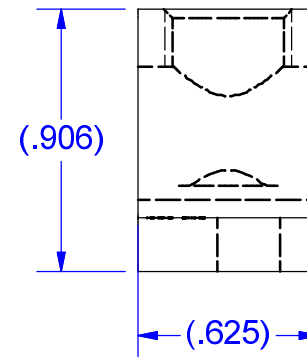
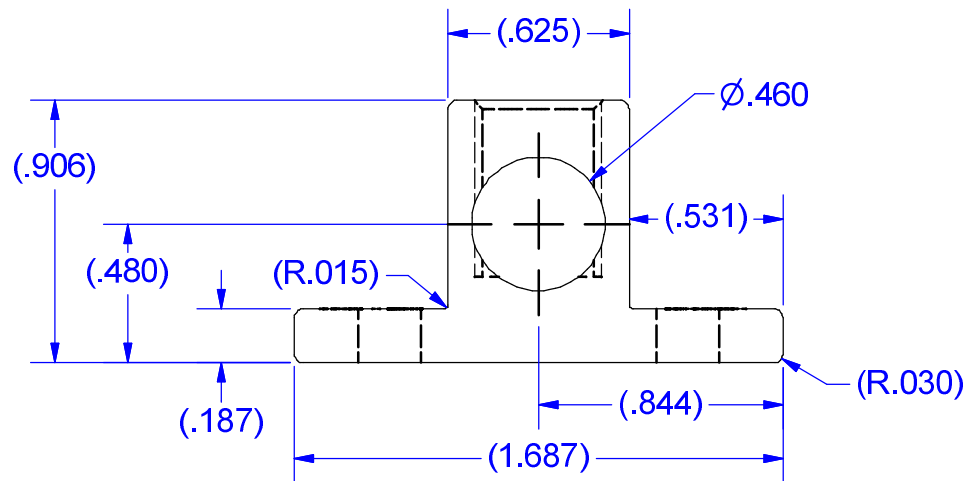


SCREW #11703
(ALUMINUM, TIN PLATED)



PART MARKED

S2/0
CU9AL
2/0-14
IHI LOGO
UL LISTED MARK
CSA CERTIFIED

| | | | |
|---|--------------------------|---|---------------------------------|
| THIS DRAWING AND DESIGN ARE THE PROPERTY OF INTERNATIONAL HYDRAULICS, INC., CLEVELAND, OHIO, AND MAY NOT BE COPIED, REPRODUCED, OR USED FOR THE BASIS OF DESIGN OR MANUFACTURE WITHOUT THE WRITTEN PERMISSION OF INTERNATIONAL HYDRAULICS, INC., CLEVELAND, OHIO. | | INTERNATIONAL HYDRAULICS, INC. | |
| GENERAL TOLERANCES ±.015 (±0,038) | | TITLE: T2/0(1.03) CONNECTOR | |
| MATERIAL: 6061-T6 (13699) | SIZE: | DRAWN BY: TDS | DWG NO.: T2-0 (SALES) |
| FINISH: TIN PLATE EMS 131 | DATE: 12/12/08 | REV: THIS IS A CAD DRAWING, DO NOT MANUALLY REVISE | |