

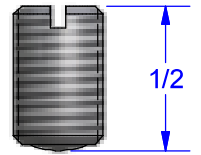
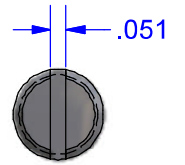
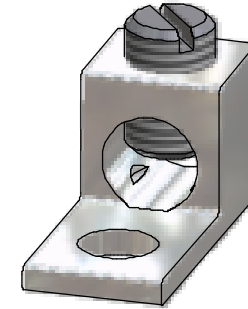
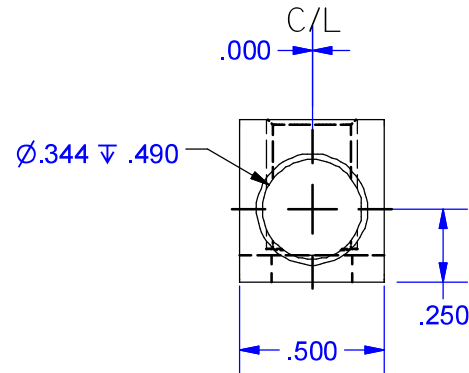
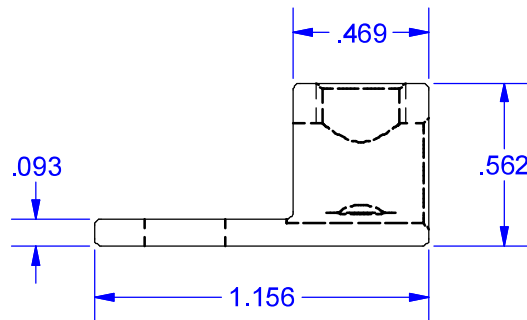
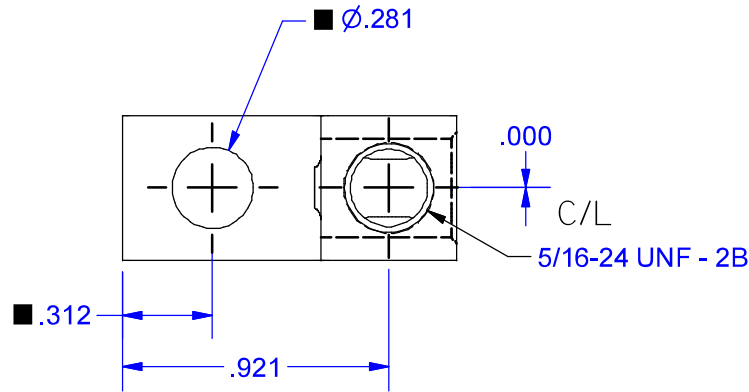
Cat. No. S2 Style No. ALL

■ **Drill, Enlarge, or Modify Mounting Holes**

- 1) Increase hole(s) dia. to 5/16 bolt
- 2) Move location of mounting hole(s)
- 3) If buying blank lug, put custom hole(s) in.

IHI UL/CSA Installation Guide to Drill or Enlarge Mounting Holes:

<https://lugsdirect.com/PDF%20Documents/IHI-MTG-HOLE-FIELD-MODS-UL&CSA-CERTIFICATIONS.pdf>



SCREW # 10850
TIN PLATED
ALUMINUM

MARKING

- S2
- IHI
- 2-14
- CU9AL
- UL LOGO
- CSA LOGO

FLEX WIRE 4-12 AWG,
4-16 AWG WITH FERRULE

NOT FOR USE WHERE FAILURE CREATES A HAZARD TO HUMAN HEALTH OR SAFETY. ALL PRODUCTS ARE SUBJECT TO THIS FULL DISCLAIMER: <http://www.ihiconnectors.com/disclaimer.html>

FOR FURTHER INFORMATION ON THE PROPER USE OF THIS PRODUCT IN SPECIFIC APPLICATIONS SEE <https://www.ihiconnectors.com/GuideToFlexFlexibleFineStrandedWireCableMechanicalLugsFAQ.html>
<https://www.ihiconnectors.com/Technical-Data-Installation.htm>
<https://lugsdirect.com/PDF Documents/5-16-SLOTTEDSCREW-BIT-RECOMMENDED-SPECS-IHICONNECTORS.pdf>



Expanded wire range with use of ferrules.
TORK KRIMP®, self crimping of standard UL Listed ferrules protected by PATENT No.10630005.
PATENT: www.ihiconnectors.com/patent.html
For full instructions: <https://lugsdirect.com/PDF Documents/IHI Agency Labels/S2-AGENCY-LABEL.pdf>

THIS DRAWING AND DESIGN ARE THE PROPERTY OF INTERNATIONAL HYDRAULICS, INC., CLEVELAND, OHIO, AND MAY NOT BE DUPLICATED, USED FOR THE BASIS OF DESIGN OR MANUFACTURE WITHOUT THE WRITTEN PERMISSION OF INTERNATIONAL HYDRAULICS, INC., CLEVELAND, OHIO.		INTERNATIONAL HYDRAULICS, INC.	
GENERAL TOLERANCES ±.015 (±0.038)		TITLE: S2-10850 CONNECTOR	
MATERIAL: 6061-T6 (EXT1011)	SIZE:	DRAWN BY: TDS	DWG NO.: S2-10850
FINISH: TIN PLATE EMS	DATE: 6/10/2019	REV:	THIS IS A CAD DRAWING, DO NOT MANUALLY REVISE