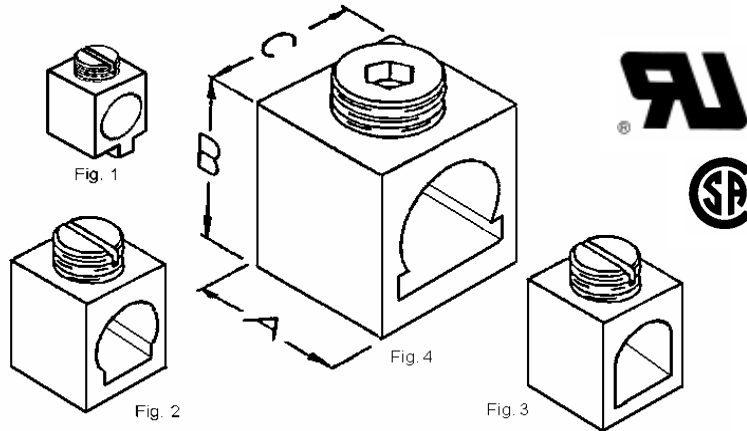


# Connectors

[IHCONNECTORS.COM](http://IHCONNECTORS.COM)®

**B Series Box  
(collar clamp)  
Connectors**  
Tin Plated Aluminum  
Box Connectors for  
Copper and Aluminum  
Wires.  
Buss (or PCB)  
mounted.



Wire Range	Catalog Number	Fig. No.	A	B	C	Buss (tang) Width	PCB solderable?
AWG 12 -16 #	B12	3	.310	.45	.26	.13	YES, option
AWG 6 -18 *	B6A	1	.338	.49	.34	.14 PCB slot	YES, Standard
AWG 6 -14	B6B	2	.343	.53	.38	.22	
AWG 6 -16 #	B6C	2	.406	.56	.42	.25	
AWG 4 -14	B4B @	3	.48	.55	.46	.25 -.30	Option
AWG 2 -14	B2A	2	.406	.56	.42	.25	YES, option
AWG 2 -14 #	B2B	3	.490	.58	.465	.324	
AWG 2 -14	B2C	2	.406	.66	.465	.25	YES, option
AWG 1/0 - 8**	B1/0	3	.625	.72	.565	.37	
300 MCM - 4 #	B300	4	.937	1.203	.795	.639	

(# UL Recognized only)

(\*\* c CSA us marked for USA & Canada)

(\* No UL/CSA.)

@ B4B is made of brass with a steel or brass screw

**Materials:** • Aluminum Alloys • Copper Alloys • Brass Alloys

**Mechanical Products:** • Box Connectors • Splicers • Lugs

**Wire Sizes:** 14 AWG to 1000 MCM

**Call Charles Ridley (ext. 103)**

**to discuss your needs: 440-951-7186 Fax: 440-951-1071**

**e-mail: Charles Ridley: [cRidley@ihinet.com](mailto:cRidley@ihinet.com)**

**IHI Connectors® , International Hydraulics Inc.  
7638 St. Clair Avenue, Mentor, OH 44060-5236**